

# Line Array Hangers

## DLA-210T

### INTRODUCTION

The DLA-210T hoisting bracket supports the ceiling hoisting of line array speakers, improves the coverage of line array speakers, reduces the use of equipment space, and makes the installation more beautiful.

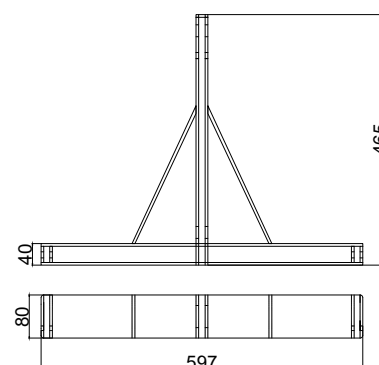
It supports up to 8 full-range speakers or 4 subwoofers to be hung.

The structure is stable and reliable to ensure the stability and safety of the speaker hanging. The shock-resistant design reduces speaker resonance and avoids distortion of the sound source.



### FEATURES

- Type: 10 inch line array hanger;
- It supports up to 8 full-range speakers or 4 subwoofers to be hung
- It has a safety factor of more than 7 times for hanging
- Equipped with 2 U-shaped slings and 2 ton slings



## DLA Series