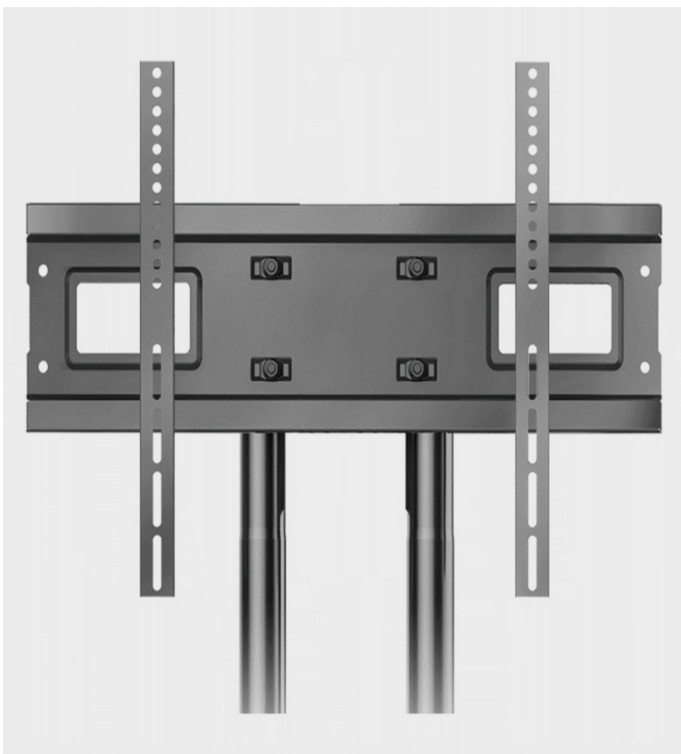


Interactive Flat Panel Floor Stand

FL101&FL102

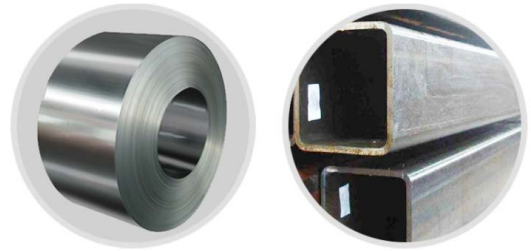
INTRODUCTION

IFP Floor Stand - Slim, space saving and aesthetically pleasing design to fit various LCD monitor sizes. With features like display modularity, cable management, easy-hanging hardware mechanisms, and more, installation and maintenance are simple, so you can focus on what's important - communicating your digital messages with ease.



High-quality raw materials

Strictly require the production process and process, and test again and again



Thickened hanging rod

Thickened hanging rod with double row holes, strong versatility, safety and stability

Universal brake pulley

Push and go, wear-resistant and mute, rubber rollers, 360-degree steering wheel



Dimension

